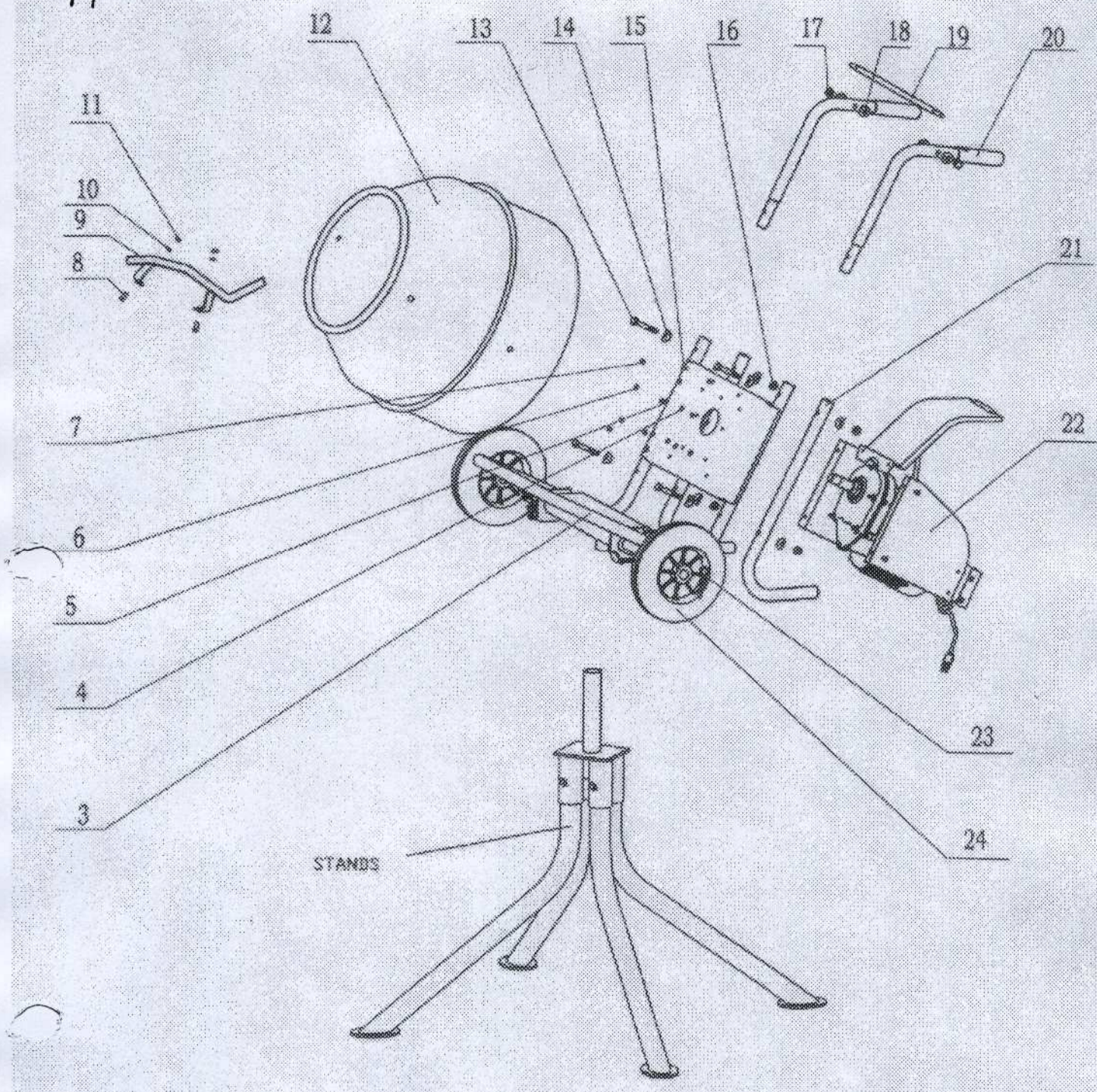


DRAWING 2 MOTOR AND GEARBOX ASSEMBLY (115V - 60Hz) (230V - 50Hz)

Ref	DESCRIPTION	NOTE
01	MOTOR AND GEARBOX ASSEMBLY	115V-60Hz (230V - 50Hz)
1	SCREW	5X10 M6X25
2	SEAL	55X40X7
3	SCREW	M6X50
4	GEAR BOX CASE HALF	
5	GASKET	
6	PIN	6X12
7	KEY	
8	BALL BEARING	6201
9	GEAR	Z79
10	KEY	5X5X12
11	PINDON	Z8
12	CASE HALVE	
14	SEAL	42X20X7
15	SPACER WASHER	
16	BEARING	6004
17	CASING	
18	ROTOR	
19	BEARING	6202
20	BELL HOUSING	
21	FAN	
22	SCREW	TC 3.5X8.5
23	FAN COVER	
24	BOLT	SPEC M5X135
25	ELECTRIC PANEL	115V-60HZ (230V - 50Hz)
26	ON OFF SWITCH	
27	POWER CORD WITH PLUG	0.35M
28	SCREW	TC PH 3.9X22
29	GASKET	
30	SUPPORT	
31	SCREW	
32	CONDENSER	TR11 OR TC PH MAX16N
33	CABLED RELAY	4F 40V250
34	ELECTRIC BOX ASSY	V115 230V
35	GASKET	
36	NUT	M6
37	WASHER	M6X12.5
38	BEARING	6205
39	SPACER WASHER	E30
40	GEAR	Z88
41	BEARING	6003
42	LOCATING PIN	M6X10
43	BOLT	M6X40
44	MOTOR	115V-60HZ 230V
45	WASHER	M6
46	SCREW	TC PH M4X6
47	GEAR BOX DRIVE SHAFT	
48	STOP RING	M4X30X8.3

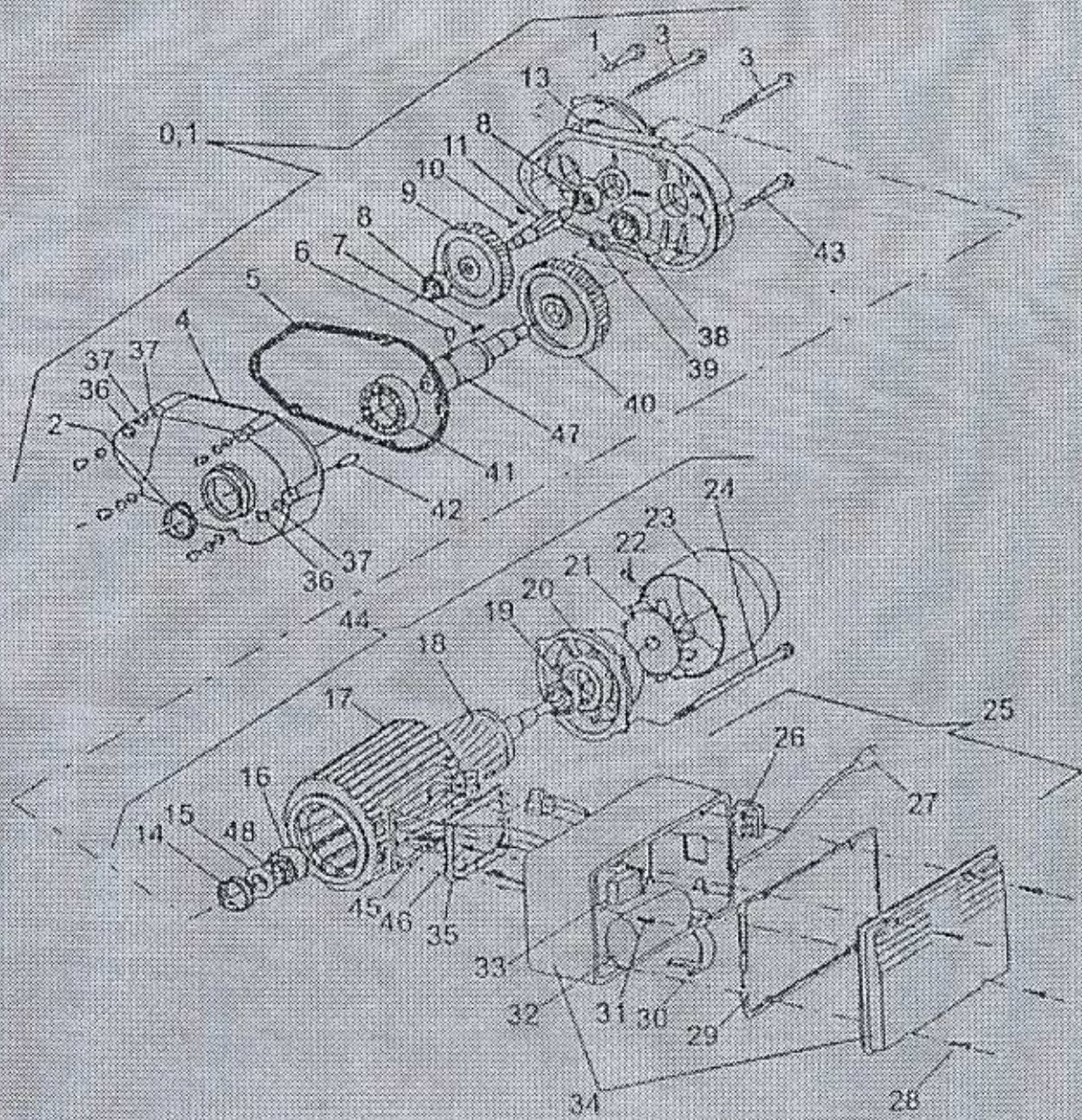
set A



Parts PPCMSA - - -

PCMS-45

DRAWING 2 MOTOR AND GEARBOX ASSEMBLY(230V-50Hz)
(115V-60Hz)



CONCRETE MIXERS
GEARBOX MOTOR ASSY.