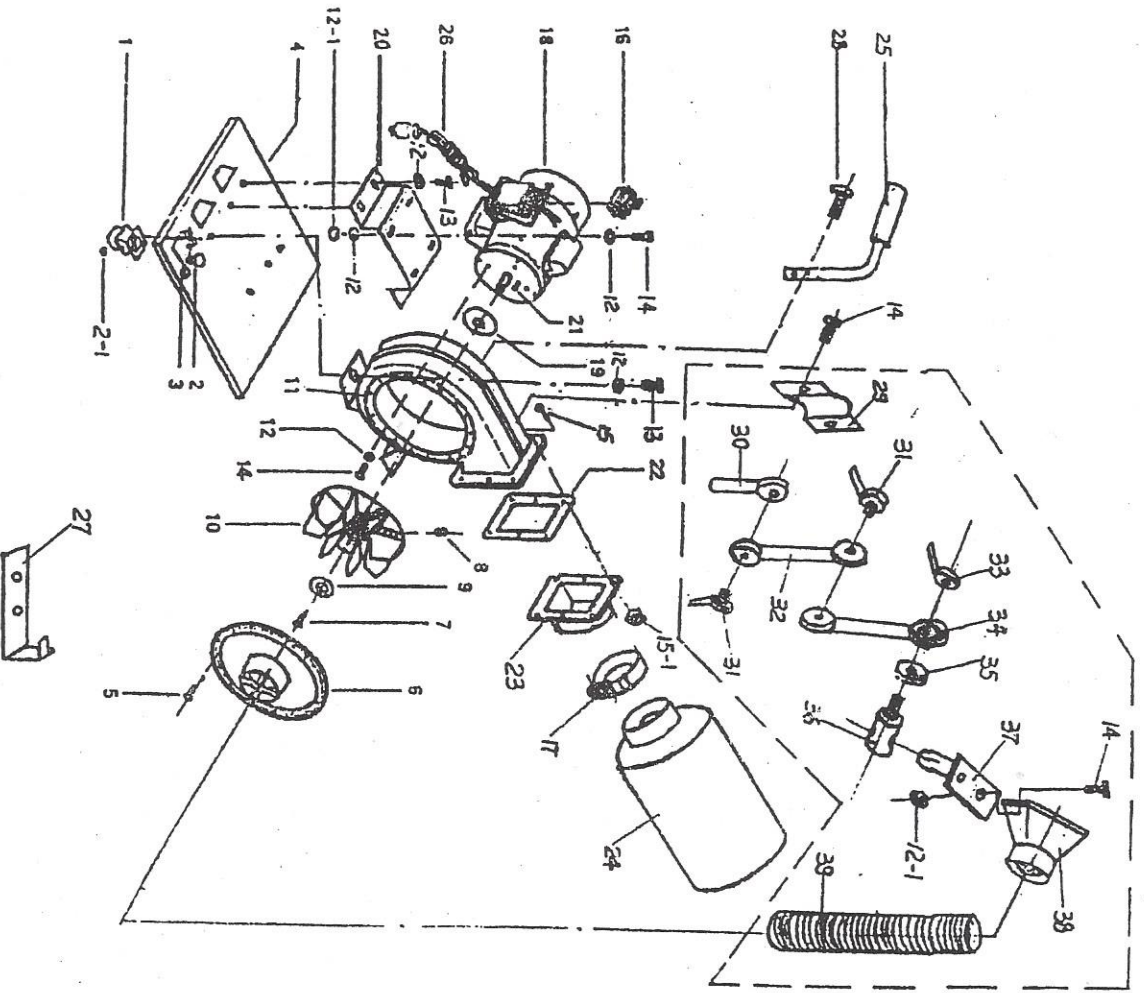


PARTS DIAGRAM



PARTS LIST

PART NO.	DESCRIPTION	SIZE	QUANTITY
1	CASTER		4
2	SCREW PAN. HD.	M6 X 16	16
2-1	NUT	M6	16
3	SPRING WASHER	Φ6	16
4	BASE PLATE		1
5	SCREW PAN. HD.	M5 X 10	12
6	INLET COVER		1
7	SCREW HEX. SOC. HD.	M6 X 20(L.H.)	1
8	SET SCREW SOC. HD.	M8 X 10	2
9	WASHER		1
10	TURBO FAN		1
11	COLLECTOR BODY		1
12	WASHER	Φ8	18
12-1	NUT	M8	6
13	SCREW HEX. HD.	M8 X 10	6
14	SCREW HEX. HD.	M8 X 15	12
15	SCREW HEX. FLG. HD.	M6 X 15	6
15-1	NUT	M6	6
16	SWITCH		1
17	CLAMP		1
18	MOTOR		1
19	PACKING		1
20	COLUMN &. MOTOR PLATE		1
21	KEY	5 X 5 X 30	1
22	PACKING		1
23	OUTLET		1
24	COLLECTOR BAG		1
25	HANDLE		1
26	POWER CORD		1
27	HOOKS		2
28	SCREW HEX. HD.	M6 X 25	2
29	CHECKPOST		1
30	SUSTAIN TUBE		1
31	KNOB		1
32	SUSTAIN TUBE		2
33	KNOB		1
34	SUSTAIN TUBE		1
35	WASHER		1
36	SHAFT		1
37	FIXED ROD		1
38	SQUARE MESHED INLET		1
39	HOSE		1