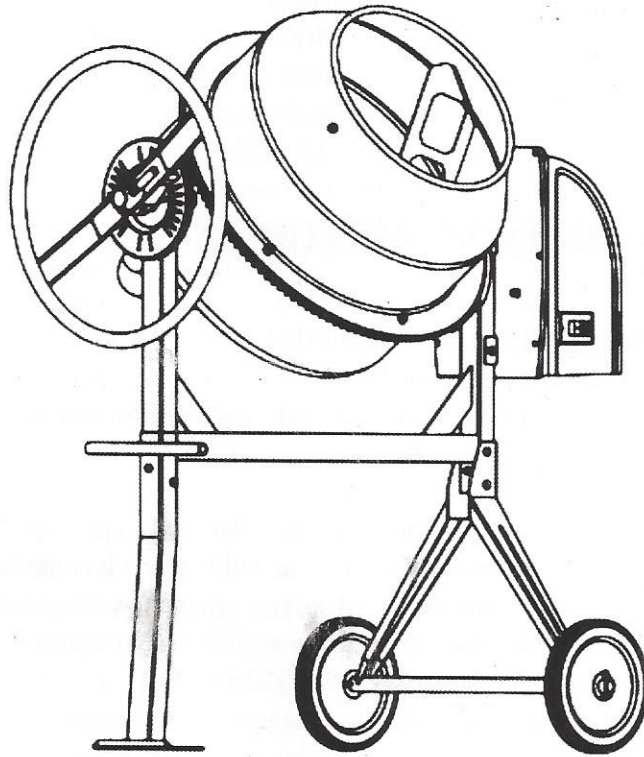


**Save This Manual for Future Reference**

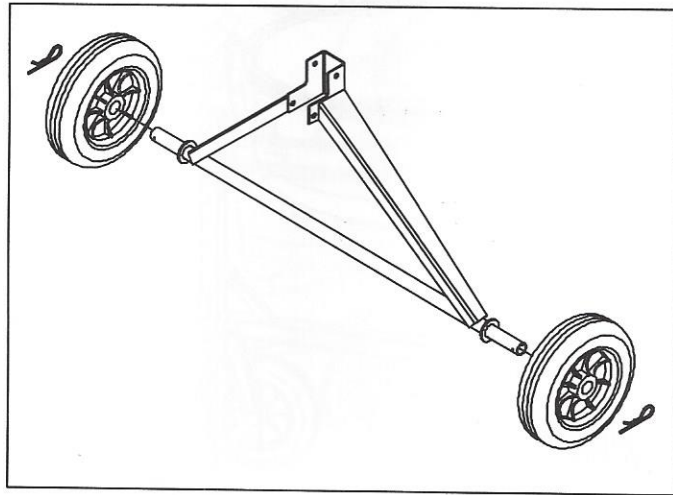


**CEMENT MIXER  
INSTRUCTION MANUAL  
MODLE NUMBER:PCM210L**

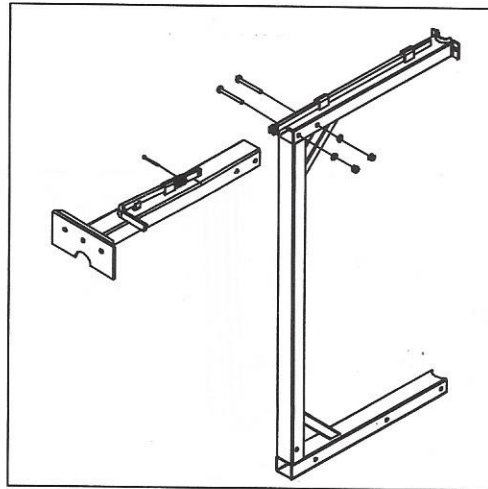
FOR YOUR SAFETY :READ AND UNDERSTAND THE  
ENTIRE MANUAL BEFORE OPERATING MACHINE

1. ASSEMBLE THE STAND

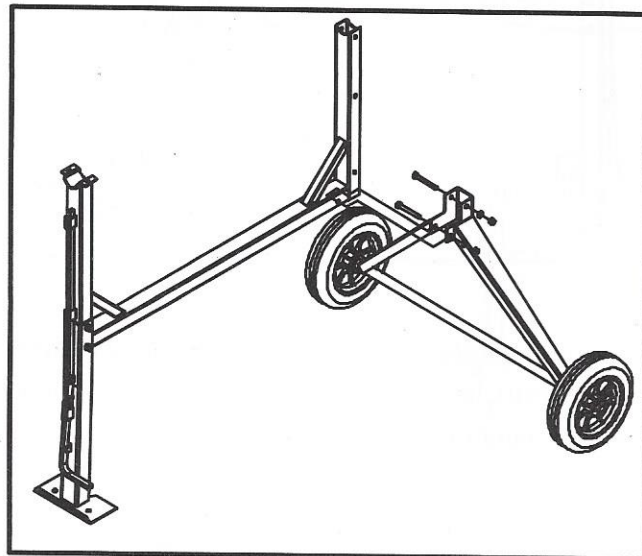
◇ ASSEMBLY THE WHEEL STAND,



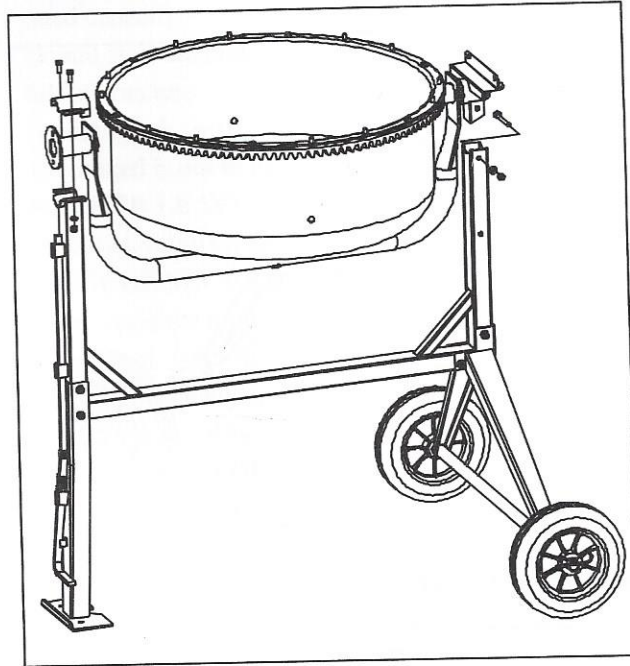
◇ ASSEMBLE THE BRACKET



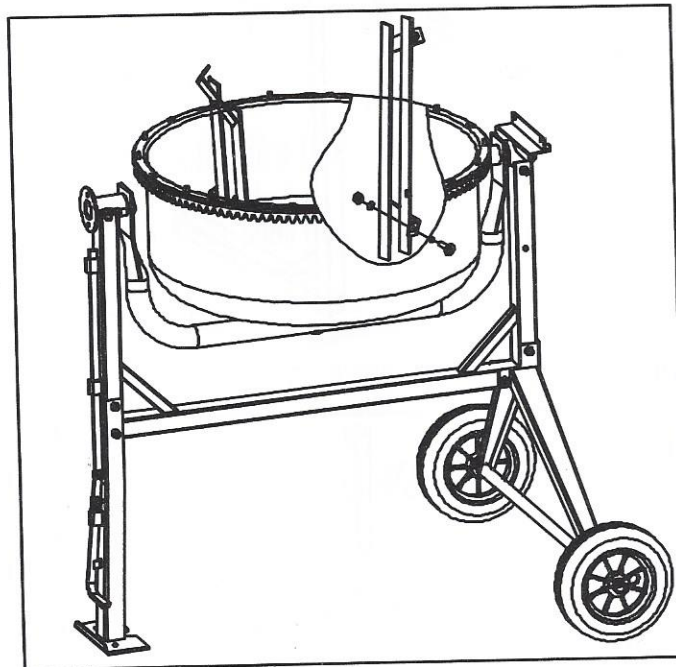
◇ ASSEMBLE THE WHEEL STAND AND BRACKET



## 2. ASSEMBLE THE BOTTOM DRUM AND STAND

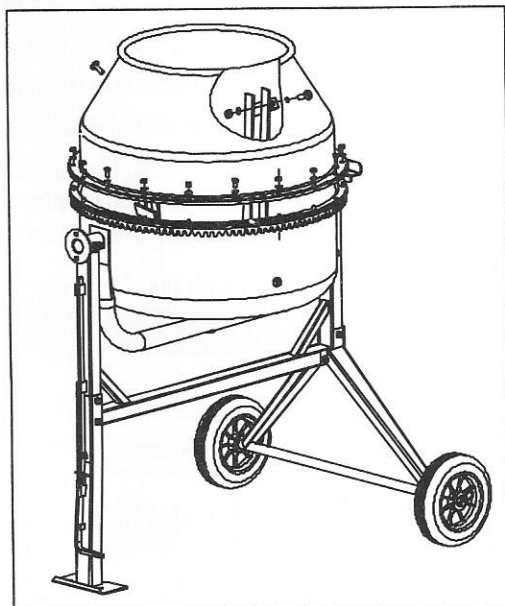


## 3. ASSEMBLE THE MIXING BLADES

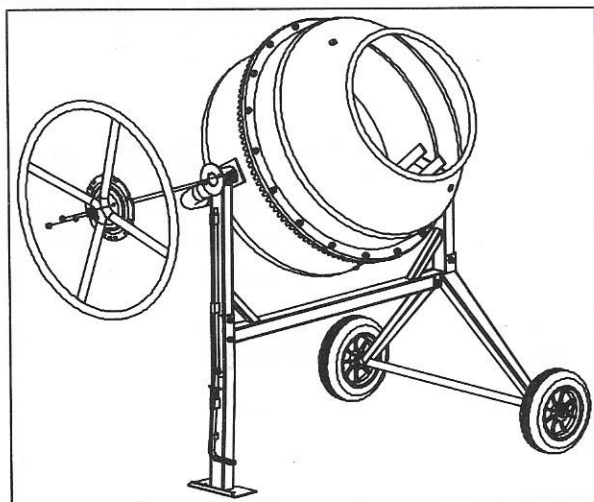


**NOTE :**Two arrows are labeled on upper drum and bottom drum to make their position relation .If you have any difficulty in correctly positioning the mixing blades ,it is helpful if you temporarily mount the upper drum on the top of te bottom drum ,rotating it so that the two arrows line up.

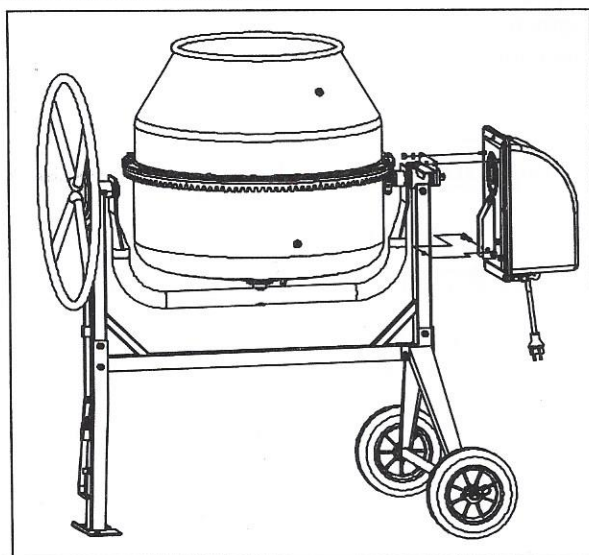
4. ASSEMBLE THE UPPER DURM



5. ASSEMBLE THE TIPPING WHEEL



6. ASSEMBLE THE TRANSMISSION CASE



## 四、 OPERATION INSTRUCTIONS

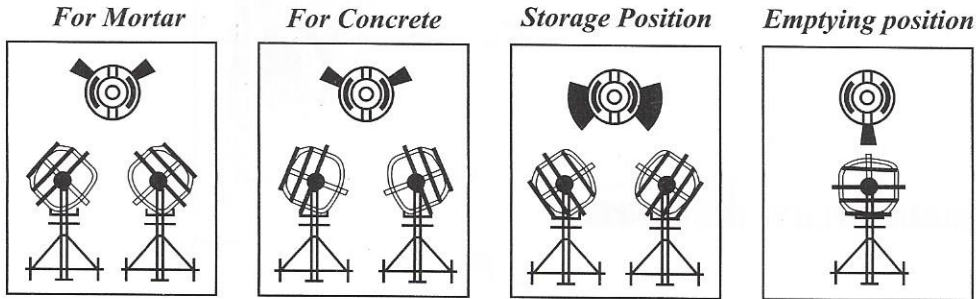
### DRUM TILTING

The spring-loaded tipping wheel with locking lugs provides an easy positive control of the drum which can be locked in the mix, discharge and stored position.

The drum is locked in position by lugs on the self-locating tipping wheel which engage into the locking plate on the mixer frame. To tilt the drum, withdrawn the tipping wheel to dis-engage the locking lugs. This then allows the tipping wheel and drum to be turned in same direction.

To retain the drum in position, aligning the lugs with the slots. release the tipping wheel a little while retaining the drum. Rotate the tipping wheel until the locking lugs engage into the locking plate on the mixer frame.

### Loading/Mixing Position



### LOADING



Completely unwind the extension cord. Connect it to the concrete mixer first before plugging in power supply.



Always start the mixer before loading the drum. Loading the drum with drum rotating.



Do not throw material into the mixer to avoid sticking firmly to the back of the drum. Trickle it steadily over the ram.

**NOTE:** A built-in thermal protector is arranged in the motor to prevent it from overheating. The thermal protector restores automatically when the motor cools down.

### For best results, proceed as follows:

1. Add the required amount of gravel into the drum.
2. Add the required amount of cement into the drum.
3. Add the required amount of sand into the drum.
4. Pout the required amount of water into the drum.

### EMPTYING



Do not turn mixer off while full of load Emptying the drum with drum rotating.

### CLEANING



Never put hands inside the drum with drum rotating.

Thoroughly clean the mixer at the end of each day's operation. Keep your mixer clean. The slightest trace of material left in the drum will harden and attract more each time you use it until the machine is useless. Dried cement should be scraped out of the drum. Do not throw bricks into mixer drum to clean it out. Do not beat on the drum with a shovel, a hammer or other tools to break up accumulations of dried cement mix, as damage to the mixer may result. The drum may be scoured for approximate 2 minutes, using 1" gravel and water mixture. Then discharge the drum assembly inside and out. The IP45D protection class construction of the concrete mixer enables you to hose down the drum assembly safely.



Do not pour spray water directly over the motor cover, especially the openings in it.



Wipe off any external material on the motor cover. Do not use petrol, turpentine, lacquer or paint thinner, dry cleaning fluids or similar products or solvents may affect the properties of the cover which was made of high density polyethylene PET.

## MAINTENANCE INSTRUCTIONS



Ensure the extension cord is always unplugged before the motor cover is removed.

The drive belt is under constant even tension by a spring loaded jockey. No adjustment apart from a touch of grease on the spindle.

The bearings are sealed for life.

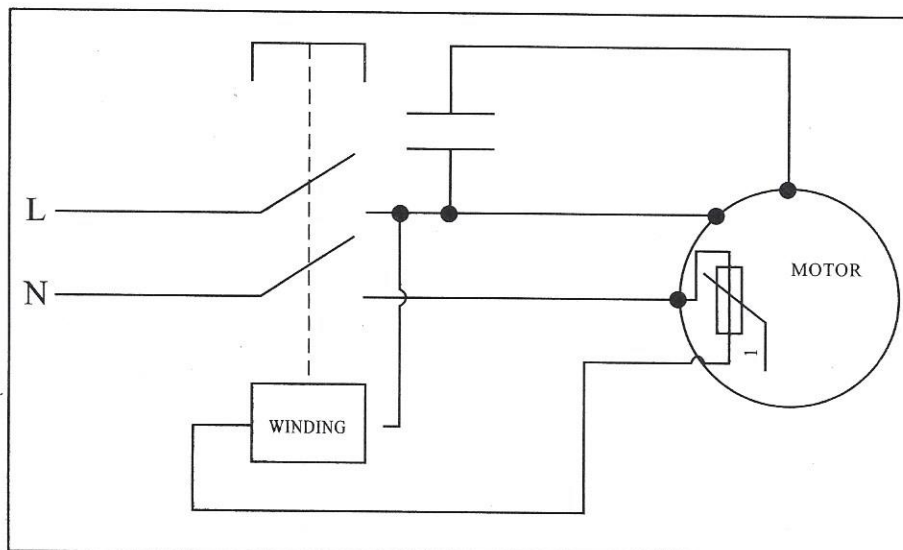


The wiring diagram and parts schematic in this manual are as reference tools only. Neither the manufacturer nor distributor makes any representation or warranty of any kind to the buyer that he or she is qualified to make any repairs to the product or that he or she is qualified to replace any parts of the product. Only qualified technicians should repair the mixer. Any maintenance and repairs carried out, to any of the electric components must be undertaken by a qualified electrician.



Parts in a circle should only be fitted by a qualified electrician.

## 五、 WIRING DIAGRAM



# 六、PARTS SCHEMATIC

